



Copyright TENSOR AB

# AHA-200 PNEUMATIC

The 200 series are wire shears with an extremely low weight, made for cutting wire, spring wire, mesh etc.

The 203 - 206 tools are pneumatic operated with a recommended pressure between 5 to 6 Bar (75-90 psi).

The 200 tools are CE marked

The 200 tools are very easy to handle and operated by a lever on the body, the lever can be rotated round the body.

The standard blade is made of high class forged steel and is available with carbide tip.

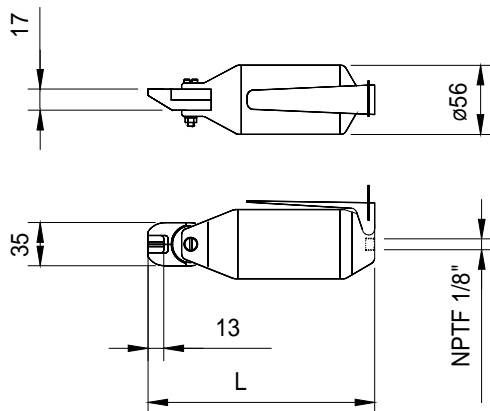


## DIMENSIONS (mm):

	L	Weight	Cutting capacity		
	mm	kg	Cu	Soft steel*	Hard steel*
<b>AHA-203</b>	185	0,63	3,3	2,8	1,4
<b>AHA-204</b>	277	0,94	4,5	3,8	1,8
<b>AHA-205</b>	370	1,5	6	5	-
<b>AHA-206</b>	370	2	7	6	-

\* Soft steel ~600 N/mm<sup>2</sup> Hard steel ~1800N/mm<sup>2</sup>

Dimension: AHA-203, 204.



TEN0003

## SPECIFICATION:

CUTTER Wire shear

AHA-2aa

a= Max dimension:

mm 03  
04  
05  
06

Blade

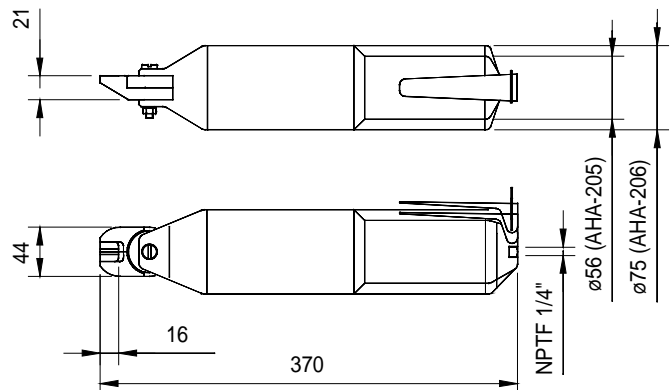
AHZ-2aa-b

a= Size: 03, 04 = 03  
05, 06 = 05

b= Blade type:

Standard = 1  
Carbide tip= 2

Dimension: AHA-205, 206.



Subject to alteration without previous notice.

Distributed by: B. W. Darrah, Inc.  
115 S. 4th Avenue, St. Charles, IL 60174  
(630) 584-1900 Fax: (630) 584-2599